

TOOLS + IDEAS





TOOLS+IDEAS® More than just tools.

Innovative tool concepts and complete solutions for bore machining –
these are our core areas of expertise.
Here we are the world technology leader as a manufacturer of premium tools.
Here we offer a plus in support and services.

We call this TOOLS PLUS IDEAS; our customers know it as the KOMET GROUP.



Leading. Along new paths.

Only leaders progress beyond boundaries and set new standards. With clear and efficient ideas, we have established ourselves as the innovation leader. With an eye to the future, universal skills and experience in high-precision machining, our technological lead shortens the path from A to Z; from the definition of the task to the finished machining solution.



The strategy. For more performance.

Performance potentials are theoretical figures in any form of production until someone comes along who has the ambition to exploit them. We think in processes, we command all disciplines, we find the best solutions. Optimizing the performance potential of your machines and your employees – this is what drives us.









Full of ideas. For greater efficiency.

Continual effectiveness is the order of the day, so there is hardly enough time for experiments. But we take the time to be creative in our processes, products and services; in drilling, thread milling and reaming. We are a creator of greater efficiency in the μ -range – an art which our customers appreciate.





Dedicated. Always and everywhere.

We maintain our objective and offer more by maximizing benefits in terms of products and support through genuine added value. With TOOLS PLUS IDEAS, we support your lead, always and everywhere. A lead achieved and maintained by our employees worldwide – a total of 1,350 locations that offer you experience, knowledge and dedication.

The brands of the KOMET GROUP

With its brands KOMET® , JEL® and DIHART® , the KOMET GROUP is an internationally acknowledged expert in high-precision solid drilling, rough and fine boring, thread milling and reaming.

As a complete supplier, we develop, produce and distribute the most comprehensive modular range of products for bore machining. As the technology leader in innovative machining operations, we ensure efficient production with customer-specific solutions for all process stages of machining.

Our products and services offer our customers incomparable added value. We consider ourselves not only as just a tool manufacturer, but as a provider of innovative solutions and ideas for the benefit of our customers: TOOLS PLUS IDEAS.



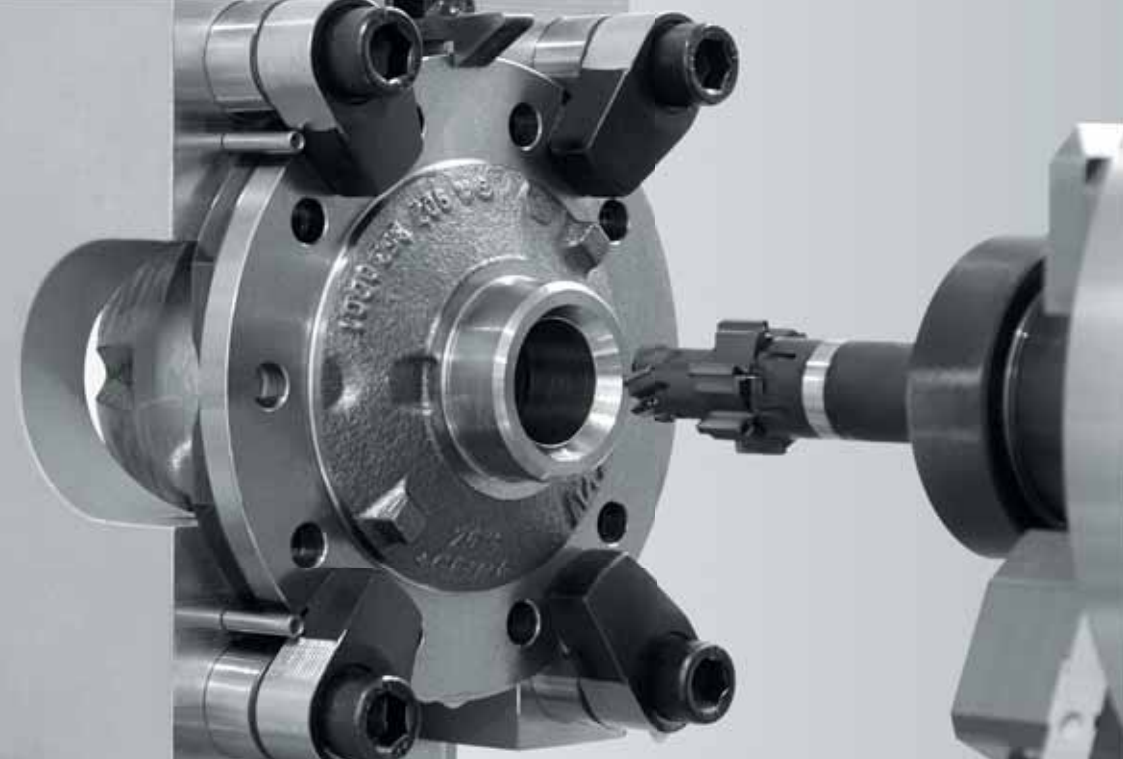
 **KOMET®**

Innovative drilling

KOMET® is the internationally leading brand of the KOMET GROUP for high-precision bore machining. For drilling, the KOMET KUB Pentron® is the undisputed first among equals. This power pack has been designed for continuous solid drilling up to 5xD even in extreme machining conditions. Its supreme level of functionality and service life, with outstanding drilling performance and optimum chip removal, are representative of the complete KOMET® range.



KOMET KUB Pentron®



KOMET[®] JEL

Trend-setting thread milling

JEL[®] and its innovations make up the strong brand of the KOMET GROUP for modern thread production. The JEL[®] BGF thread milling cutter produces a complete thread, including core hole and counterbore, in one single operation. Multi-functional tools like this are characteristic of the comprehensive range, extending from conventional standard tools to application specific solutions.

JEL[®] Drill thread milling cutter BGF



KOMET[®] DIHART

High-precision reaming

DIHART[®] is known as the brand of the KOMET GROUP with perfect reaming technology in new dimensions. The innovative tool concept of the DIHART Reamax[®] TS is the flagship of the comprehensive reaming tool range. With its modular design, it covers all diameter ranges and requirements. The tool can be changed easily, quickly and with maximum precision.

DIHART Reamax[®] TS



KOMET KomTronic® u-axis system
for the complete machining of turned
contours on a machining centre without
rotation of the workpiece.





Sector solutions

Intensive sector specific solutions of the KOMET GROUP are the expression of consistent familiarity to the market and the customer. With our development expertise and our concentration on genuine customer benefits, we have established a leading position in the market for specific sector tooling and process solutions.

Our know-how enables the optimization of part and component machining with the maximum level of technical skill and efficiency. Our disciplines include dry machining, high-speed machining, minimum quantity lubrication, as well as the machining of steel, castings, aluminum and more exotic materials. This opens opportunities where they are not at all expected.



KOMET® special tool
Stepped rough boring tool for automotive and engineering applications.



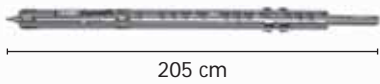
JEL® special tool
VABOS-K with thread milling cutter M14x1.25, with PCD. Three operations with only one tool – for pre-cast rough drilling to core bore dimension, production of 90° and face counterboring Ø 22 mm, thread milling M14x1.25.



DIHART® special tool
2-stage reamer on HSK 63
1st stage modular and adjustable
TiN-coated for Ø 20 H7,
2nd stage fixed and modular,
DBF-coated for Ø 50H7.



Slide tool for intermediate and final machining of the crankshaft bore and thrust bearing seat of a vehicle engine.



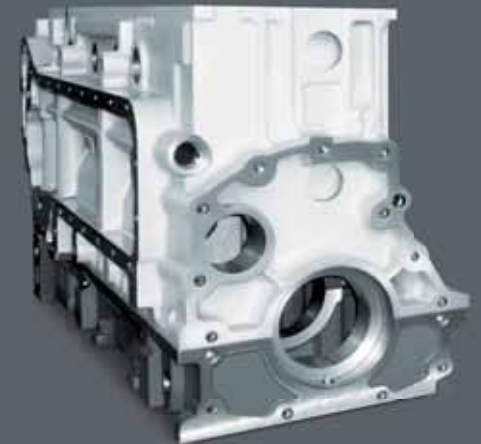
Project management

In our project management, we bring together the strengths which make the KOMET GROUP the innovation leader in bore machining: We possess creativity in development, technical know-how in premium tools and complex processes, individual service and an unmatched, interdisciplinary solution potential.

Our highly-qualified teams make use of this freedom with the aim of achieving the optimum process and tool design, and the maximum added value.

The latest technology offered by our Technical Center supports our teams in practical development and implementation.

With sound professionalism, we guarantee efficient project management, from planning through optimum after-care following the project completion.







IDEEN-FABRIK

The IDEEN-FABRIK+ represents the evolution of the KOMET GROUP from a tool manufacturer into a creative expert for solutions covering every aspect of drilling, thread milling, reaming and mechatronic tools. With a total area of 2,500 m², we have created a modern factory environment which allows plenty of free room for creative work and learning. The IDEEN-FABRIK+ has been deliberately constructed not as a separate training building, but as an integrated facility directly above the production operations. The work is therefore combined at all times with new ideas and creative ambition.

With the IDEEN-FABRIK+ and the comprehensive seminar program for customers and employee qualification, we offer a measurable, long-term competitive advantage individually tailored to you and your market.





KOMET SERVICE®

The KOMET SERVICE® offers our customers a plus in service that ensures consistent, high quality tools and maximum process reliability in production. The service covers all work required for the conditioning of drilling, thread milling and reaming tools, with the tools of the KOMET GROUP being conditioned to their original quality.

With the KOMET SERVICE®, we cover all possible customer requirements: Professional re-grinding, individual re-coating, precision tool-refitting, and if required, a limited stock range including VHM tools and simple VHM special tools.

Reliability, guaranteed original quality and short delivery times are ensured by the network of professional KOMET SERVICE® partners.

A service – exclusively offered by KOMET GROUP.

KOMET GROUP dealers in Europe

Belgium

KOMET R. Cools N.V.
Boomsesteenweg 456
2020 Antwerpen
Tel. +32-3-2 37 97 87
Fax +32-3-2 16 33 16
info@komet.be

Denmark

Damstahl Tooling a/s
Danmarksvej 28
8660 Skanderborg
Tel. +45-87 94 41 00
Fax +45-87 94 41 55
tooling@damstahl.com

Germany

KOMET GROUP GmbH
Zeppelinstraße 3
74354 Besigheim
Tel. +49(0)7143.373-0
Fax +49(0)7143.373-233
info@kometgroup.com

Finland

P.Aro Oy
Teollisuuskatu 35-39 LH4
FI-20520 Turku
Tel. +358-(0)20 1474500
Fax +358-(0)20 1474501
info@p-aro.com

France

KOMET S.à.r.l.
46-48 Chemin de la Bruyère
69574 Dardilly CEDEX
Tel. +33(0) 4 37 46 09 00
Fax +33(0) 4 78 35 36 57
info.fr@kometgroup.com

Great Britain

KOMET (UK) Ltd.
4 Hamel House
Calico Business Park
Tamworth
B77 4BF
Tel. +44(0)1827.302518
Fax +44(0)1827.300486
info.uk@kometgroup.com

Ireland

KOMET (UK) Ltd.
4 Hamel House
Calico Business Park
Tamworth
B77 4BF
Tel. +44(0)1827.302518
Fax +44(0)1827.300486
info.uk@kometgroup.com

Italy

KOMET Utensili S.R.L.
Via Massimo Gorki n. 11
20098 S. Giuliano Mil.
Tel. +39-02-98 40 28 1
Fax +39-02-98 44 96 2
info.it@kometgroup.com

Croatia

NITEH d.o.o.
Izidora Krsnjavog 1 B
47000 HR-Karlovac
Tel. +385 47 60 01 41
Fax +385 47 60 01 42
niteh@ka.t-com.hr

Netherlands

Roco B.V.
Willem Barentszweg 16
5928 LM Venlo
Tel. +31-77-3 23 14 00
Fax +31-77-3 23 14 04
info@roco.nl

Norway

Square Tools AB
Box 9177
20039 Malmö
Tel. +46-40-49 28 40
Fax +46-40-49 19 95
info.se@kometgroup.com

Austria

KOMET GROUP GmbH
Wagramer Straße 173
1220 Wien
Tel. +43 (1) 259 22 04
Fax +43 (1) 259 22 04 76
info.at@kometgroup.com

Poland

KOMET-URPOL Sp.z.o.o.
ul. Przyjaźni 47 b
PL 47-225 Kędzierzyn-Koźle
Tel. +48(0)77.4829060
Fax +48(0)77.4061070
info.pl@kometgroup.com

Portugal

KOMET IBERICA TOOLS S.L.
Av. Corts Catalanes 9-11
Planta baja, local 6B
08173 SANT CUGAT DEL VALLES
Tel. +34-93-583.96.20
Fax +34-93-583.96.12

Romania

S.C. INMAACRO S.R.L.
Bronzului 7 BL 509A AP 8
2200 Brasov
Tel. +40 268 42 34 50; 42 53 74
Fax +40 268 42 30 45
info@inmaacro.com

Russia

KOMET GROUP GmbH
ul. Spartakovskaya, 2V
420107, Kazan
Tel. +7 843 5704345
Fax +7 843 2917543
info.ru@kometgroup.com

Sweden

Square Tools AB
Box 9177
20039 Malmö
Tel. +46-40-49 28 40
Fax +46-40-49 19 95
info.se@kometgroup.com

Switzerland

Utilis AG Präzisionswerkzeuge
Kreuzlingerstr. 22
8555 Müllheim
Tel. +41-52-7 62 62 62
Fax +41-52-7 62 62 00

Slovakia

KOMET GROUP CZ s.r.o.
Na Hůrce 1041/2,
160 00 Praha 6
Tel. +42(0)2 35 01 00 10
Fax +42(0)2 35 31 18 90
info.cz@kometgroup.com

Slovenia

Schmidt HSC d.o.o.
Kidriceva 25
3000 Celje
Tel. +386 3 49 00 850
Fax +386 3 49 00 852
peter@hsc-schmidt.si

Spain

KOMET IBERICA TOOLS S.L.
Av. Corts Catalanes 9-11
Planta baja, local 6B
08173 SANT CUGAT DEL VALLES
Tel. +34-93-583.96.20
Fax +34-93-583.96.12
info.es@kometgroup.com

Czech Republic

KOMET GROUP CZ s.r.o.
Na Hůrce 1041/2,
160 00 Praha 6
Tel. +42(0)2 35 01 00 10
Fax +42(0)2 35 31 18 90
info.cz@kometgroup.com

Turkey

HİDKOM Mühendislik -
Müessesilik LTD. ŞTİ.
Organize Sanayi Bölgesi 75. Yıl Cad.
Demirciler Sitesi B Blok No: 2
16159 Nilüfer / BURSA - TURKEY
Tel. +90 (0) 224 243 82 92
Fax +90 (0) 224 243 63 65
hidkom@hidkom.com

Hungary

POWER TOOLS KFT
9019 GYOR, Tavirózsa u. 3/F
Tel. +36 96 511 011
Fax +36 96 511 010
info@power-tools.hu

KOMET GROUP dealers worldwide

Egypt

ZAHNRANCO, ENGINEERING TRADE
15, Ali Amer Str. - 6th Sector
Nasr City - Cairo, Egypt
Tel. +20-2-2 75 43 46
Fax +20-2-2 75 41 83
Telex 2 10 57 YAZCO UN

Argentina

VORTEX S.R.L.
Pedro Morán 858
Lomas del Mirador
Buenos Aires
Tel. +54-(11) 46 53 01 25
Fax +54-(11) 44 88 60 72
vortex@vortex.com.ar

Australia

Rosler International PTY Ltd.
P.O. BOX 696, 12 The Nook
Bayswater, Vic. 3153
Tel. +61-3-97 38 08 89
Fax +61-3-97 38 08 87

Brazil

KOMET do Brasil Ltda.
Rua Brasileira, 439
07043-010 Guarulhos - São Paulo
Tel. +55(0)11.2423-5502
Fax +55(0)11.2422-0069
info.br@kometgroup.com

China

KOMET GROUP Precision Tools
(Taicang) Co.,Ltd.
(Headquarter Asia Pacific)
No. 5 Schaeffler Road
Taicang, Jiangsu Province, 215400
Tel. +86(0)512.535757-58
Fax +86(0)512.535757-59
info.cn@kometgroup.com

India

KOMET Precision Tools India Pvt. Ltd.
16J, Attibele Industrial Area
BANGALORE - 562 107
Tel. +91-80-2807 8000
Fax +91-80-2807 8100
info.in@kometgroup.com

Indonesia

PT Somagede Perkasa
Kompleks Griya Inti Sentosa
Jalan Griya Agung No: 3
Sunter Agung - Jakarta 14350
Tel. +62-21-6 41 07 30
Fax +62-21-6 40 15 72
iriawan@sdp-dkp.com

Iran

SHIVEH TOLID Co. LTD.
270, West Dr. Fatemi Ave.
Post Code : 14186
Tehran
Tel. +98 21 6 691 7 691
Fax +98 21 6 691 7 688
info@shivehtolid.com

Israel

ARNOLD TRADING Co., Ltd.
P.O.B. 20180
6 Hamachtesh St.
Ind. Area, Holon 58810
Tel. +9 72-3-5 58 13 13
Fax +9 72-3-5 58 13 17

Japan

KOMET GROUP KK
180-0006
1-22-2 Naka-cho Musashino-shi
Tokyo Japan
Grand Preo Musashino 203
Tel. +81(0)422 50 0682
Fax +81(0)422 50 0683
info.jp@kometgroup.com

Canada

KOMET OF CANADA
TOOLING SOLUTIONS ULC.
250 Harry Walker Parkway North
Unit 6B, Newmarket,
Ontario, L3Y 7B4, Canada
Tel. +1-8 47-9 23 84 00
+1-8 47-9 23 84 80
Fax +1-8 00-8 65/66 38
canadacs@komet.com

Korea

KOMET GROUP Precision Tools
Korea Co.,Ltd.
#201, Lotte IT Castle-2, 550-1,
Gasan-dong,
Geumcheon-gu, Seoul, 153-768
Tel. +82(0)2.2082.6300
Fax +82(0)2.2082.6309
info.kr@kometkorea.com

Malaysia

GP System (Malaysia) Sdn Bhd
19-1, Jalan Kenari 7
Bandar Puchong Jaya
47100 Puchong, Selangor
Tel. +60-3-807 59160
Fax +60-3-807 59740
gpm@gpsystem.com

Mexico

KOMET de México S. de R.L. de C.V.
Acceso 1 Nave 8 No. 116
Fraccionamiento Industrial La Montaña
Querétaro, Qro.
C.P 76150 México.
Tel. +52-442 2-18-25-44
Fax +52-442 2-18-20-77
info.mx@kometgroup.com

New Zealand

Coulson Carbide Limited
Double J Centre, 24 Gum Road,
Henderson Valley, Henderson
P.O.Box 21-228, Henderson
Auckland
Tel. +64-9-8 38 50 61
Fax +64-9-8 37 62 86

Singapore

GP System (Singapore) Pte. Ltd.
No. 51, Bukit Batok Crescent
#04-04/05 Unity Centre
Singapore 658077
Tel. +65-68 61 26 63
Fax +65-68 61 35 00
enquiry@gpsystem.com

South Africa

MULTITRADE DISTRIBUTORS
P.O. Box 3511
Kempton Park
1620
Tel. +27-11-453-8034
Fax +27-11-453-9696

Taiwan

Hung Chih Ltd., Co.
No. 37, Chung Cheng Road
Tainan, Taiwan, R.O.C.
Tel. +8 86-6-2 25 22 16
Fax +8 86-6-2 20 59 93
hclhsu@ms26.hinet.net

Thailand

PERFECT TOOL Co., Ltd.
64/298
Moo 3 Karnchanapisek Rd.
Bakurad Bagbuathong
Nothaburi 11110
Tel. +66 2594 4562
Fax +66 2594 4563
mpongsak@thaiperfecttools.com

USA

KOMET of America, Inc.
2050 Mitchell Blvd.
Schaumburg
IL 60193-4544
Tel. +1-8 47-9 23 84 00
+1-8 47-9 23 84 80
Fax +1-8 00-8 65/66 38
customerservice@komet.com



KOMET GROUP GmbH
Zeppelinstraße 3 · 74354 Besigheim · Germany
Tel. +49(0)7143.373-0 · Fax +49(0)7143.373-233
info@kometgroup.com · www.kometgroup.com